

INSTALLATION INSTRUCTIONS #INST003: REALTRUCK BACKRACK KIT #30102, 30102TB, 30102TB31 1997-2003 F-150 Safety Rack Only (No Supercrew)

READ THIS NOW!

Your truck should look like the one shown. If you think you are missing any parts, think that this part number is not for your truck or have any installation question, call our customer service department at toll free:

888-588-6101 or locally 800-265-8137.

Other ways to reach RealTruck Backrack:

email: info@backrack.ca

Support@backrack.com



The RealTruck Backrack is secured to your truck with a pair of "Stake Pocket Bolts" specifically designed for your make and model of truck. These bolts mount into each of the two front stake pockets. The RealTruck Backrack assembly sits on the bed rails of your truck and is secured to these Stake Pocket Bolts. If your truck has a BEDLINER we suggest you remove it to install the Stake Pocket Bolts

PARTS LIST FOR KIT #30102

PART	DESCRIPTION	QTY
RMB502P	Rail Mount Bracket Assy Passenger	1
RMB502D	Rail Mount Bracket Assy Driver	1
HARDWARE BAG502		
INST003	Installation Instruction	1
FYZ008	1/2"-20 Nylon Hex Lock Nut	2
FYZ009	1/2"-13 Hex Nut	4
FYZ010	1/2" Lock Washer	4
FYZ011	1/2" Flat Washer	2
FYZ012	1/2" Flat Washer Large	2
FYZ014	1/2"-20 x 3.25" Carrige Bolt Grade 8	2
FYZ023	1/2"-13 UNC THREADED PLATE	2
SBY502P	Stake Pocket Bolt Passenger	1
SBY502D	Stake Pocket Bolt Driver	1

PARTS LIST FOR KIT #30102TB, 30102TB31

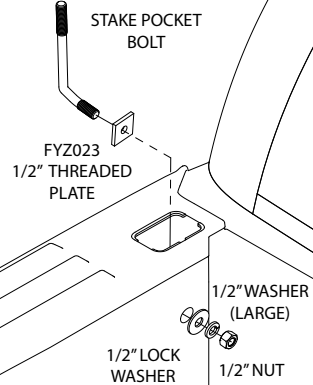
PART	DESCRIPTION	QTY
TB502D	Toolbox Bracket Driver	1
TB502P	Toolbox Bracket Passenger	1
OR		
TB903D	31" Toolbox Bracket Driver	1
TB903P	31" Toolbox Bracket Passenger	1
HARDWARE BAG502		
INST003	Installation Instruction	1
FYZ008	1/2"-20 Nylon Hex Lock Nut	2
FYZ009	1/2"-13 Hex Nut	4
FYZ010	1/2" Lock Washer	4
FYZ011	1/2" Flat Washer	2
FYZ012	1/2" Flat Washer Large	2
FYZ014	1/2"-20 x 3.25" Carrige Bolt Grade 8	2
FYZ023	1/2"-13 UNC THREADED PLATE	2
SBY502P	Stake Pocket Bolt Passenger	1
SBY502D	Stake Pocket Bolt Driver	1

FOR MORE INFORMATION SCAN HERE!



1

For each stake pocket bolt (driver and passenger) install the threaded plate. Thread the plate on so there is sufficient thread for the washers and nut. Insert through the slot on the truck bed. Install the 1/2" large steel washer, lock washer and nut. Leave assembly finger tight at this stage.

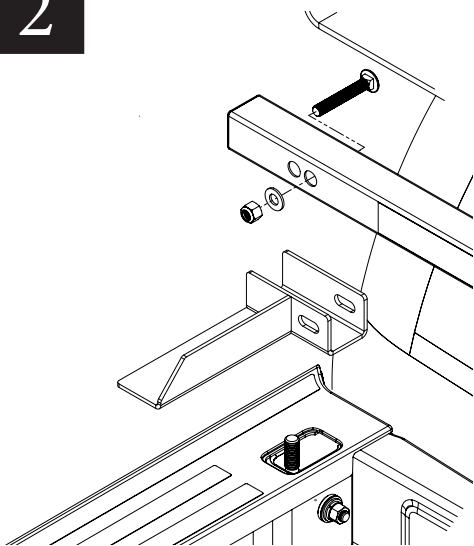


2

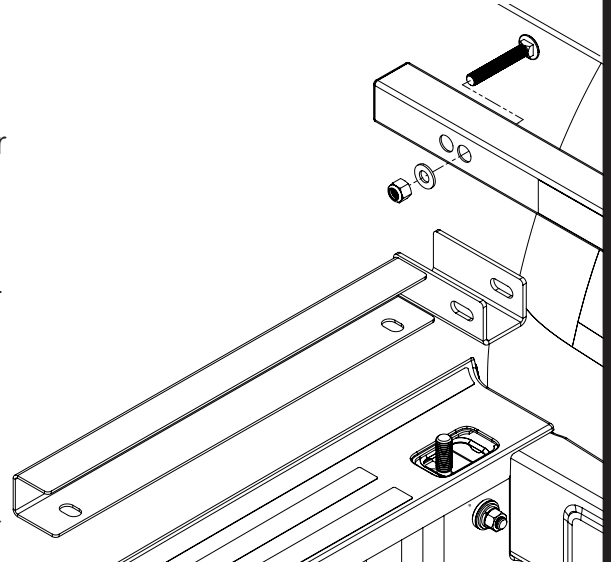
Fasten the RealTruck Backrack to the Rail mount bracket, or Toolbox bracket. Finger tighten at this stage.

****IMPORTANT****

Install the carriage bolt as shown in the diagram with the round head closest to the cab. Failure to do so could result in damage to the cab or rear window.



KIT #30102



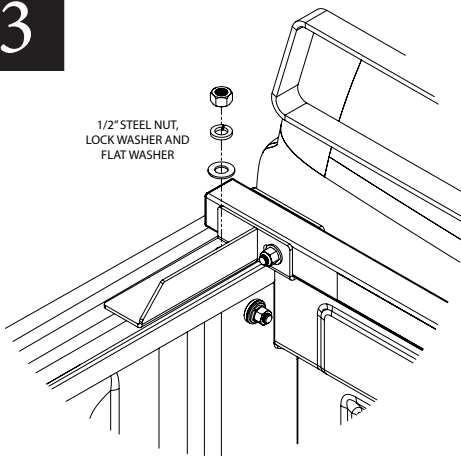
KIT #30102TB,
30102TB31

3

Fasten the RealTruck Backrack Assembly to the Stake pocket bolt as shown.

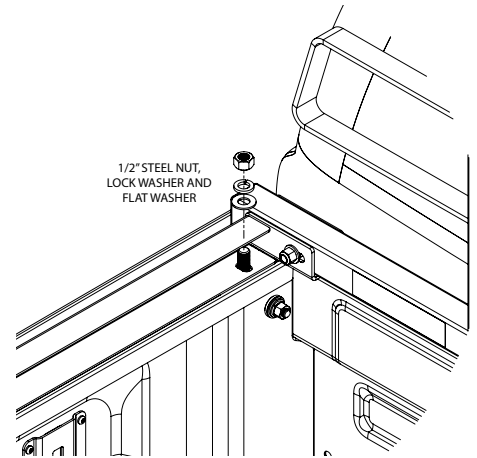
Center the RealTruck Backrack assembly on the truck and final torque all bolts starting with the nuts on the inside of the truck bed, then the rail mount or toolbox bracket and finally the main RealTruck Backrack carriage bolt.

1/2" STEEL NUT,
LOCK WASHER AND
FLAT WASHER



KIT #30102

1/2" STEEL NUT,
LOCK WASHER AND
FLAT WASHER



KIT #30102TB,
30102TB31