

INSTALLATION INSTRUCTIONS #INST242:
REALTRUCK BACKRACK KIT #30500, 30500TB
 2022-Curent Nissan Frontier

READ THIS NOW!

Your truck should look like the one shown. If you think you are missing any parts, think that this part number is not for your truck or have any installation question, call our customer service department at toll free:

888-588-6101 or locally 800-265-8137.

Other ways to reach RealTruck Backrack:

email: info@backrack.ca

Support@backrack.com



The RealTruck Backrack is secured to your truck with 3/8" clamp bolts and clamp plates (if applicable) specifically designed for your make and model of truck. These bolts mount into each of the two bed rails. The RealTruck Backrack assembly sits on the bed rails of your truck. If your truck has a BEDLINER we suggest you re-move it to install the rail mount brackets.

PARTS LIST FOR KIT #30500

PART	DESCRIPTION	QTY
RMB525D	Rail Mount Bracket Driver Side	1
RMB525P	Rail Mount Bracket Passenger Side	1
HARDWARE B32714		
FYZ008	1/2"-20 Nylon Hex Lock Nut	2
FYZ014	1/2"-20 x 3.25" Carriage Bolt Grade 8	2
FYZ011	1/2" Flat Washer	2
HARDWARE BAG962		
INST000	Installation Instruction	1
FYZ067	3/8"-16 X 2.5 Full Thd Hex Bolt Grade 5	4
FYZ002	3/8" Lock Washer	4
FYZ003	3/8" Flat Washer	4
FYZ001	3/8"-16 Hex Nut	4
SBY954S	Stake Pocket Bolt Nut Assembly	4
DB9X8ET	Poly Bag	1

PARTS LIST FOR KIT #30500TB

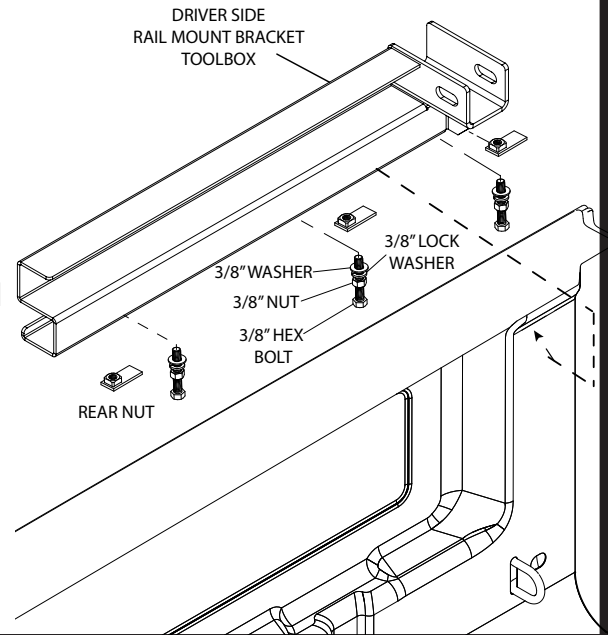
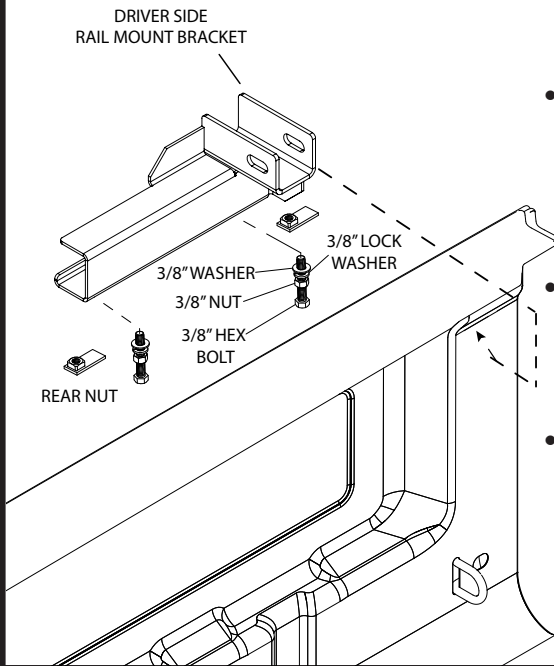
PART	DESCRIPTION	QTY
TB525D	Toolbox Bracket Driver	1
TB525P	Toolbox Bracket Passenger	1
HARDWARE B32714		
FYZ008	1/2"-20 Nylon Hex Lock Nut	2
FYZ014	1/2"-20 x 3.25" Carriage Bolt Grade 8	2
FYZ011	1/2" Flat Washer	2
HARDWARE BAG961		
INST000	Installation Instruction	1
FYZ067	3/8"-16 X 2.5 Full Thd Hex Bolt Grade 5	6
FYZ002	3/8" Lock Washer	6
FYZ003	3/8" Flat Washer	6
FYZ001	3/8"-16 Hex Nut	6
SBY954S	Stake Pocket Bolt Nut Assembly	6
DB9X8ET	Poly Bag	1

FOR MORE INFORMATION SCAN HERE!



1

- Install rail mount brackets.
- Place front, middle (for TB) and rear nut into position under bed rail.
- Loosely thread in front and rear bolt (3/8") with washers and jam nut.
- Position adapter bracket forward and against inside rail.
- Finger tighten 3/8" bolts.



2

Fasten the RealTruck Backrack to the Rail mount bracket, or Toolbox bracket. Finger tighten at this stage. Center rack on truck and fully tighten both carriage bolts, and 3/8" rail mount bolts. Tighten 3/8" nut to secure.

****IMPORTANT****

Install the carriage bolt as shown in the diagram with the round head closest to the cab. Failure to do so could result in damage to the cab or rear window.

