

# REALTRUCK BACKRACK®

INSTALLATION INSTRUCTIONS : REALTRUCK BACKRACK KIT #40109  
1999-2007 Silverado, Sierra

## READ THIS NOW!

Your truck should look like the one shown. If you think you are missing any parts, think that this part number is not for your truck or have any installation question, call our customer service department at toll free:

888-588-6101 or locally 800-265-8137.

Other ways to reach RealTruck Backrack:

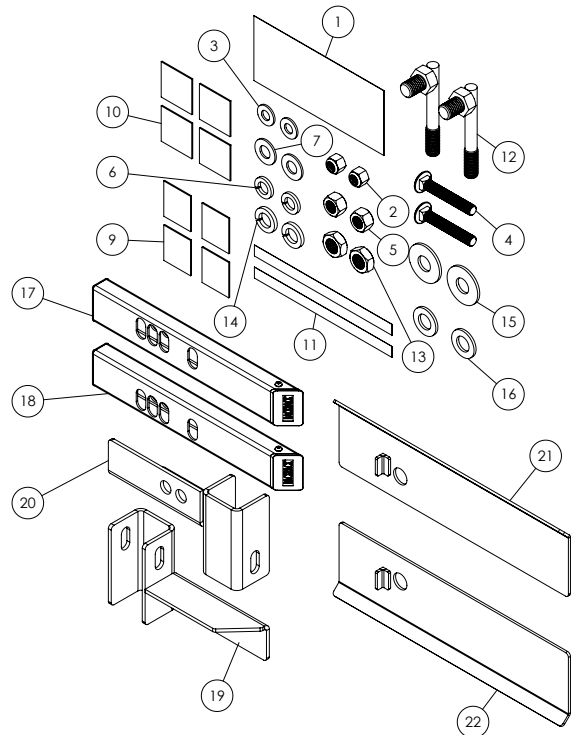
email: [info@backrack.ca](mailto:info@backrack.ca)

[Support@backrack.com](mailto:Support@backrack.com)



The RealTruck Backrack is secured to your truck with a pair of "Stake Pocket Bolts" specifically designed for your make and model of truck. These bolts mount into each of the two front stake pockets. The RealTruck Backrack assembly sits on the bed rails of your truck and is secured to these Stake Pocket Bolts. If your truck has a BEDLINER we suggest you remove it to install the Stake Pocket Bolts

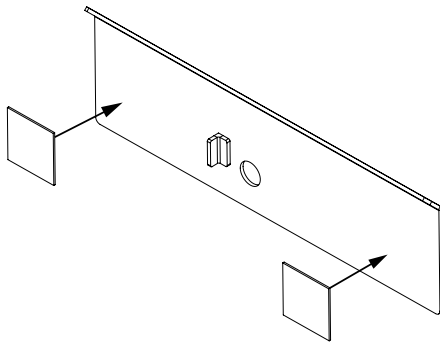
#	PART	DESCRIPTION	QTY
1	INST200	Installation Instructions	1
2	FYZ008	1/2"-20 Nylon Hex Lock Nut	2
3	FYZ011	1/2" Flat Washer	2
4	FYZ014	1/2"-20 x 3.25" Carriage Bolt Grade 8	2
5	FYZ016	5/8"-11 Hex Nut	2
6	FYZ017	5/8" Lock Washer	2
7	FYZ018	5/8" Flat Washer	2
8	DB9X8ET	Poly Bag	1
9	SF004	Foam Pad	4
10	SF005	2 Sided Tape SPGPSA1x2x2	4
11	Small BACKRACK Decal	BACKRACK DECAL 5/8" x 9"	2
12	SBY501S	Stake Pocket Bolt	2
13	FYZ019	3/4"-10 Jam Nut	2
14	FYZ020	3/4" Lock Washer	2
15	FYZ022	3/4" Large Flat Washer	2
16	FYZ021	3/4" Flat Washer	2
17	TCA003D	Tonneau Cover Adapter Driver	1
18	TCA003P	Tonneau Cover Adapter Passenger	1
19	RMB503D	Rail Mount Bracket Driver	1
20	RMB503P	Rail Mount Bracket Passenger	1
21	RP409D	40109 Rail Plate Driver	1
22	RP409P	40109 Rail Plate Passenger	1



**FOR MORE INFORMATION SCAN HERE!**



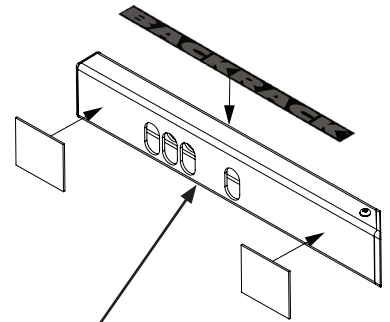
Apply double sided adhesive pads to this side of rail plate (driver and passenger) 1 on each end, approximately center.



Remove 2nd side in step 4 to adhere to truck rail.

1a

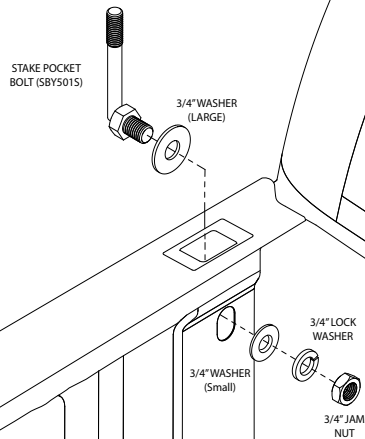
Apply single sided adhesive pads to this side of spacer. Apply RealTruck Backrack decal \*\*Can also be applied as last step to ensure facing outward\*\*



Slots to this side

1b

Insert stake pocket bolt, fasten as shown with supplied washers and nuts. Make sure the stake pocket bolt is correctly inserted into opening on truck bed. Hand tighten until final step.

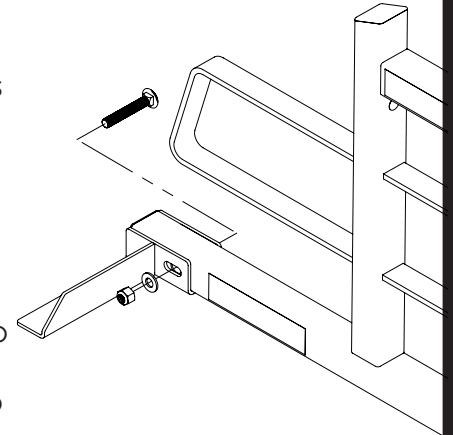


2

Fasten the RealTruck Backrack to the Rail mount bracket. Finger tighten at this stage.

**\*\*IMPORTANT\*\***

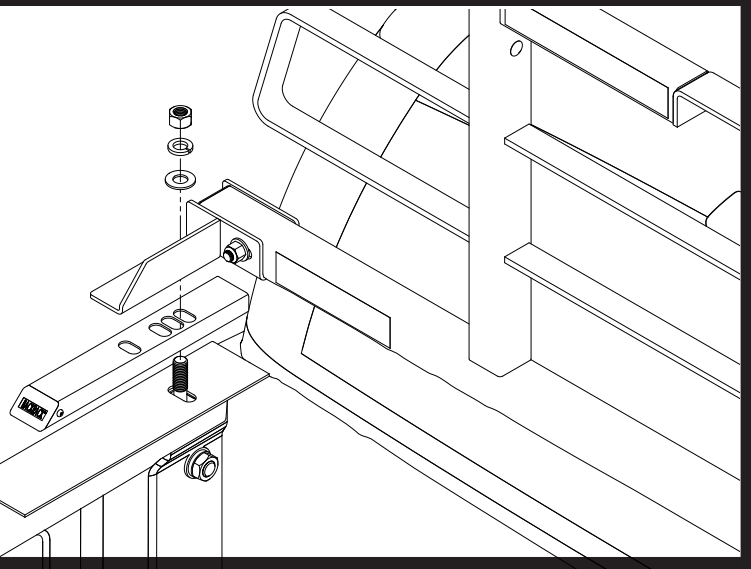
Install the carriage bolt as shown in the diagram with the round head closest to the cab. Failure to do so could result in damage to the cab or rear window.



3

Fasten the RealTruck Backrack Assembly to the Stake pocket bolt as shown.

Center the RealTruck Backrack assembly on the truck and final torque all bolts starting with the nuts on the inside of the truck bed, then the rail mount bracket and finally the main RealTruck Backrack carriage bolt.



4