

INSTALLATION INSTRUCTIONS : REALTRUCK BACKRACK KIT #40167 2019-CURRENT RAM 1500

READ THIS NOW!

Your truck should look like the one shown. If you think you are missing any parts, think that this part number is not for your truck or have any installation question, call our customer service department at toll free:

888-588-6101 or locally 800-265-8137.

Other ways to reach RealTruck Backrack:

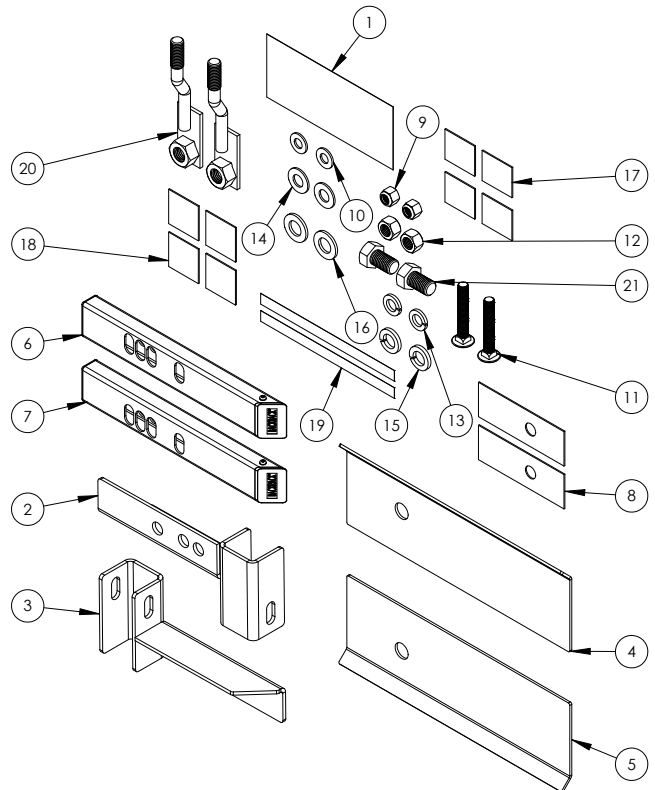
email: info@backrack.ca

Support@backrack.com



The RealTruck Backrack is secured to your truck with a pair of "Stake Pocket Bolts" specifically designed for your make and model of truck. These bolts mount into each of the two front stake pockets. The RealTruck Backrack assembly sits on the bed rails of your truck and is secured to these Stake Pocket Bolts. If your truck has a BEDLINER we suggest you remove it to install the Stake Pocket Bolts

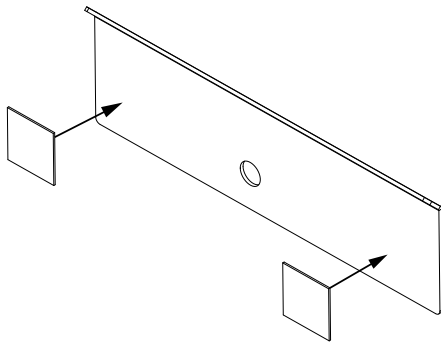
#	PART	DESCRIPTION	QTY
1	INST000	Installation Instructions	1
2	RMB802P	UNIVERSAL Rear Mount Bracket Passenger Side	1
3	RMB802D	UNIVERSAL Rear Mount Bracket Driver Side	1
4	RP467D	Rail Plate Driver	1
5	RP467P	Rail Plate Passenger	1
6	TCA003D	Tonneau Cover Adapter Driver	1
7	TCA003P	Tonneau Cover Adapter Passenger	1
8	LAS148	Rail Spacer	2
9	FYZ008	1/2"-20 Nylon Hex Lock Nut	2
10	FYZ011	1/2" Flat Washer	2
11	FYZ014	1/2"-20 x 3.25" Carrige Bolt Grade 8	2
12	FYZ016	5/8"-11 Hex Nut	2
13	FYZ017	5/8" Lock Washer	2
14	FYZ018	5/8" Flat Washer	2
15	FYZ020	3/4" Lock Washer	2
16	FYZ021	3/4" Flat Washer	2
17	SF004	Foam Pad	4
18	SF005	2 Sided Tape SPGPSA1x2x2	4
19	Small BACKRACK Decal	BACKRACK DECAL 5/8" x 9"	2
20	SBY962S	Stake Pocket Bolt	2
21	FYZ062	3/4"-10 x 1.25" Full Thd Hex Bolt Grade 5	2
22	DB9X8ET	Poly Bag	2



FOR MORE INFORMATION SCAN HERE!



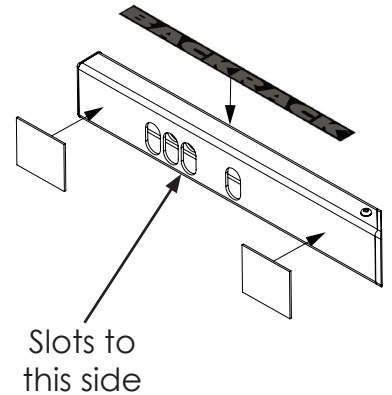
Apply double sided adhesive pads to this side of rail plate (driver and passenger) 1 on each end, approximately center.



Remove 2nd side in step 4 to adhere to truck rail.

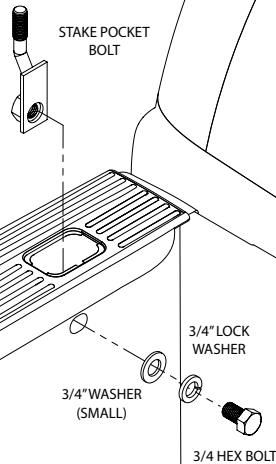
1a

Apply single sided adhesive pads to this side of spacer. Apply RealTruck Backrack decal **Can also be applied as last step to ensure facing outward**



1b

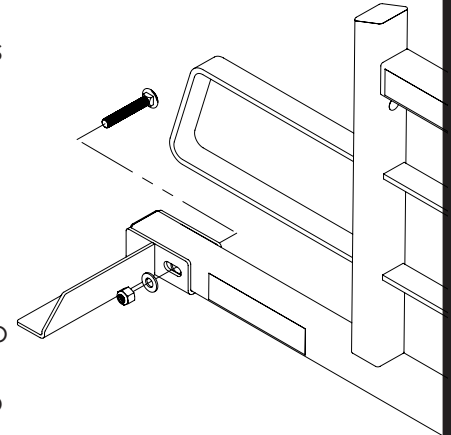
Insert stake pocket bolt, fasten as shown with supplied bolt plate, washers and nuts. Make sure the stake pocket bolt tabs are correctly seated in slot on truck bed. Hand tighten until final step.



2

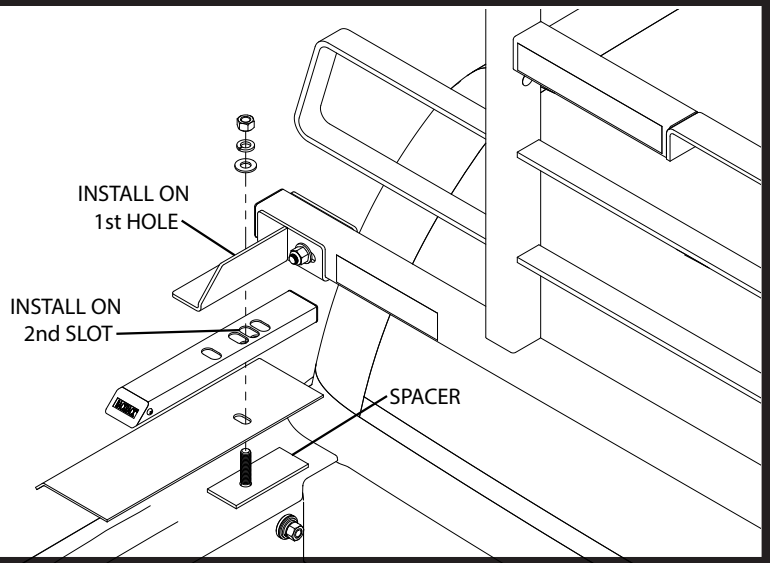
Fasten RealTruck Backrack to the Rail mount bracket. Finger tighten at this stage.

****IMPORTANT****
Install the carriage bolt as shown in the diagram with the round head closest to the cab. Failure to do so could result in damage to the cab or rear window.



3

Fasten RealTruck Backrack Assembly to the Stake pocket bolt as shown. Center the RealTruck Backrack assembly on the truck and final torque all bolts starting with the nuts on the inside of the truck bed, then the rail mount bracket and finally the main RealTruck Backrack carriage bolt.



4